

# Telescopic Handlers TL 435-10 - TL 442-13

Litronic®

Litronic®

Lift height: 10.0 m - 13.0 m  
Lift capacity: 3.5 t - 4.5 t



# LIEBHERR

## TL 435-10

Litronic®

Lift height: 9.8 m  
Lift capacity: 3.5 t  
Engine power: 84 kW / 114 HP  
Infinitely variable hydrostatic travel drive with fully electronic working hydraulics control

## TL 445-10

Litronic®

Lift height: 9.8 m  
Lift capacity: 4.5 t  
Engine power: 84 kW / 114 HP  
Infinitely variable hydrostatic travel drive with fully electronic working hydraulics control

## TL 435-13

Litronic®

Lift height: 13.0 m  
Lift capacity: 3.5 t  
Engine power: 84 kW / 114 HP  
Infinitely variable hydrostatic travel drive with fully electronic working hydraulics control

## TL 442-13

Litronic®

Lift height: 13.0 m  
Lift capacity: 4.2 t  
Engine power: 84 kW / 114 HP  
Infinitely variable hydrostatic travel drive with fully electronic working hydraulics control



## Performance

The Liebherr telescopic handlers stand out with their high lifting forces and precision of operation. At the same time, powerful working hydraulics, an infinitely variable hydrostatic travel drive and excellent manoeuvrability guarantee fast work. The versatile and extremely sturdy construction machines always allow the driver to quickly and safely convert the power of the machine into working output.

## Efficiency

The Liebherr telescopic handlers offer clear economic benefits. Intelligent control combined with high-performance individual components guarantee low fuel consumption. Ease of servicing was an important factor from the development stage onwards. This means that Liebherr telescopic handlers reduce service and maintenance costs.

## Reliability

Liebherr telescopic handlers are designed for durability and can handle the challenges of day-to-day use over a long service life. The new telescopic handlers have been tested under the most punishing conditions. Tried-and-tested systems such as the boom design and the drive concept guarantee the accustomed Liebherr quality. This means the machines offer maximum reliability, safety and availability.

## Comfort

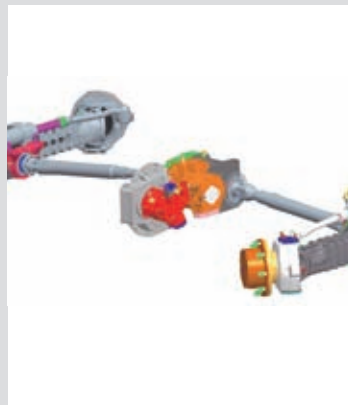
The cab was specially developed with the comfort of the driver in mind. A spacious interior, perfect visibility in all directions and ergonomically arranged controls make operating the machine as pleasant and relaxing as possible. The driver can control all travel and working hydraulics functions with his right hand on the joystick.





#### Intelligent hydraulics

- **Load sensing:**  
The working hydraulics pump always delivers the exact quantity of oil required. This protects the components and saves fuel.
- **Liebherr hydraulic control:**  
The Liebherr control system precisely converts all joystick movements into the corresponding working movement – simultaneously and regardless of the load to be moved.



#### Liebherr travel drive

- The Liebherr telescopic handlers are based on the tried-and-tested hydrostatic travel drive.
- The speed can be infinitely varied for driving without shifting gear, and absolutely no jolts.
- Benefits of the hydrostatic drive at a glance: no brake wear, low fuel consumption, fast and precise manoeuvring.

# Performance

The new telescopic handlers from Liebherr are designed for maximum performance even under the most difficult conditions. High bearing loads, manoeuvrability, intuitive operation and high-performance travel and working hydraulics components make working easier than ever before.

## High bearing loads

### Excellent weight distribution

With a favourable centre of gravity and a long wheel base, the Liebherr telescopic handlers have outstanding lifting force and stability both for loading and stacking.

### Improved boom design

The sturdy telescopic handler can carry heavy loads and withstand even the most punishing conditions.

## Intelligent interaction

### High-performance working hydraulics

The generously sized working hydraulics allow fast working cycles and plenty of power in reserve.

### Liebherr travel drive

The travel drive guarantees excellent driving performance in every situation.

### State-of-the-art diesel engine

The proven, powerful engine ensures the accustomed quality and reliability, even in the most demanding situations.

## Compact and manoeuvrable

### Simple selection of steering modes

All steering modes can be selected using a rotary switch: front-wheel steering, four-wheel steering and crab steering. The driver does not need to straighten the wheels in between.

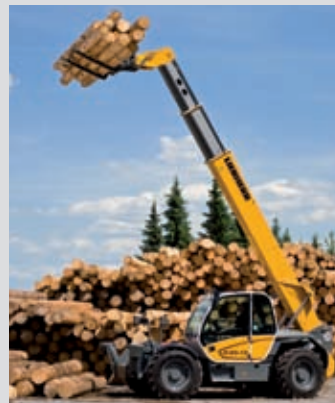
### Minimum turning circle

A large steering angle allows a very small turning circle and therefore efficient operation in restricted spaces.



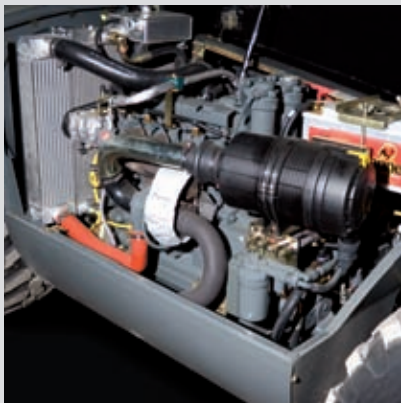
### Compact and manoeuvrable

- With turning circles under 3.80 m, the Liebherr telescopic handlers are the leaders in their class.
- The mudguards and counterweight are within the turning circle – which means all the sensitive components are protected from damage.



### High bearing loads

- The robust boom design allows heavy bearing loads in lifting operation.
- Large bearings allow maximum performance and minimum wear throughout the service life.



#### Easy maintenance

- All maintenance points on the engine and the hydraulic system are easily accessible, thus reducing daily maintenance to a minimum.
- The optional central lubrication system even further reduces maintenance work.



#### Flexible and versatile

- Liebherr offers a wide range of specially developed attachments, including forks, buckets and pivoting working platforms.
- If the telescopic handler is fitted with a hydraulic quick hitch system, the attachments can be changed at the touch of a button.

# Efficiency

The Liebherr telescopic handlers are all-rounders that make a decisive contribution to the efficiency of your vehicle fleet. Many different optional attachments allow universal use and increased utilization of the machines. Top performance, low fuel consumption and minimum maintenance guarantee economy throughout the service life of the machine.

## An all-rounder

### An impressive variety of attachments

The wide range of attachments make the Liebherr telescopic handlers all-rounders. A simple fork, a cable winch or a raised working platform – there is no challenge that cannot be mastered.

### Versatile and flexible

Numerous options such as ride control, automatic bucket return-to-dig, float position function and side shifting on stabilisers allow the machines to be configured for any application.

### Reliable everywhere

The oscillating rear axle (with optional lock) and the level compensation system contribute towards safety and reliability on any terrain.

## Low operating costs

### Low fuel consumption

The perfect interaction between the hydrostatic travel drive and the Liebherr diesel engine helps save fuel even on longer journeys. Intelligent options such as electronic engine control reduce fuel consumption during loading.

### Easy maintenance

All parts requiring maintenance are easily accessible. In addition, the long maintenance intervals reduce costs.



### Autopower – power whenever you want it

- The unique autopower function (optional) regulates the engine speed and therefore the speed of the working hydraulics according to the deflection of the joystick, thus allowing fuel-saving driving throughout the day.
- Fast working hydraulics and finely metered travel drive without using the inch pedal – exclusive to Liebherr telescopic handlers.



### Precise side shifting

- Telescopic handlers on wheels can be shifted sideways inch-by-inch using the crab steering function.
- When the machine is on stabilisers\* the driver can use the optional side shifting function to move the load sideways without having to move the machine.

\* TL435-13 and TL-442-13



#### Reliable safety systems

- An audible and visible overload warning system provides early warning of dangerous situations while stacking.
- The automatic load cut-off (which can be optionally disabled) prevents forward tilting. Before this can happen, all movements of the working hydraulics are slowed down.



#### Robust design

- The tried-and-tested protection systems prevent wear and physical damage to the electronics.
- Condensate cannot accumulate so there is no danger of short circuits.
- High utilisation and value is secured over the long term.



# Reliability

Robustness and reliability characterise the Liebherr telescopic handlers. Mature technology and high-quality materials and workmanship guarantee maximum reliability.

## Quality right down to the last detail

### Tried-and-tested components

Only components that have been tested under the most punishing conditions are used in Liebherr telescopic handlers.

### Sturdy yet sophisticated design

Hydraulic cylinders and hoses are protected inside the boom. The main frame and underfloor are sealed.

## Comprehensive safety concept

### Automatic overload warning system

The driver is constantly informed of the load status of the machine.

### Liebherr load torque limitation

Before the device can tilt over forward, the working hydraulics slow down to a standstill. After that, the machine can only be moved out of the danger area. This function can be disabled for loading operation.

## Excellent Liebherr service

### Fast, reliable help

When you buy a Liebherr telescopic handler, you enter a solid, long-term partnership. All the manufacturing plants and dealers guarantee optimum service and accessibility. Fully trained customer service mechanics demonstrate their expertise and repair skills on site. 98% of all spare parts are available in stock and can be sent at very short notice.



### Closed main frame

- The main frame is closed, which means the components inside cannot be damaged by falling parts.
- The closed underfloor and large ground clearance provide protection even on difficult terrain.
- The engine compartment can be specially sealed for very dusty environments.



### Liebherr Service

- Every hour counts when it comes to the efficiency of a construction machine. That's why Liebherr's spare parts service works round the clock for our customers, even at weekends and on bank holidays.
- All-round expertise ensures that all maintenance is carried out effectively. Specially trained service technicians provide reliable help.



**Seat comfort and ergonomics**

- The driver's seat has spring suspension and can be adjusted in three directions for maximum comfort.
- The steering column is easily adjustable in both height and length (option).



**Optimum sightlines in all directions**

- The large windows provide a perfect all-round view.
- The innovative protective design of the roof window provides a perfect view of the load while also protecting the driver.

# Comfort

The cab of the telescopic handler is an ideal workplace. It provides excellent sightlines in all directions, has a spacious interior, guarantees safety, and its ergonomic controls allow relaxed and productive operation.

## Unhindered view

### Low pivot point

Good sightlines were a main priority during development. Therefore, the pivot point was placed as low as possible to also allow an unhindered view to the rear and the right.

### Safety and large windows

The soundproofed ROPS/FOPS cab guarantees safe and pleasant operation. Thanks to the large windows, the driver always has a good view of the surroundings.

## Non-fatiguing, efficient operation

### Ergonomic cockpit

The seat can be individually adjusted for the driver. Additionally the steering column can be optionally adjust in height and length.

### One-hand operation

All the functions of the boom can be controlled using the joystick. Even forward and reverse direction can be selected on the joystick, which means the driver can always keep one hand on the steering wheel.

### Liebherr fine control function

For particularly demanding tasks, the driver can reduce the speed of the working and travel hydraulics for precise, safe and relaxed operation.

### Adjustable travel dynamics

Gentle, normal or aggressive travel hydraulics actuation can be selected at the touch of a button. This means the driving characteristics can be adapted to bucket or fork operation.



### Precise operation

- By activating the fine control function, the driver can reduce the speed of the working and travel hydraulics.
- This allows extremely sensitive control of all movements.



### Perfect rear view

- The pivot point of the boom is positioned extremely low in order to guarantee the best visibility.
- The driver has an excellent view of the most critical areas behind and to the right of the cab.



**Training and continuing education**

- We continually offer technical courses for our service technicians in modern training centres at our production plants.





# Liebherr Service

At Liebherr, superior service is more than a promise it is a guarantee to every customer. Several production facilities and an extensive service network for construction equipment means: close proximity, efficient structures, and fast service reaction times.

## High-performance service on a solid basis

### Optimum service today and in the future

With Liebherr, customers can trust in long-term care and the security that comes from a real partnership. Our production facilities and service partners guarantee it.

### Extensive service network

An extensive worldwide service network and service stations with the latest equipment guarantee fast support when needed.

### Latest equipment

Our customer service technicians have all necessary diagnostic equipment and tools.

## Knowledge ensures value

### High-quality service through experience and training

Comprehensive know how ensures first-class and effective service and maintenance. This contributes significantly to availability and cost effectiveness. Liebherr customer service technicians receive intensive training and continuing education at the production plants. Their comprehensive knowledge provides you with fast, reliable service.

### Continuous dialog with users

We utilize the expert knowledge and practical experience of our customers to consistently optimize our machines and services - real solutions for real situations.

### Competent advice and service

Competent advice is a given at Liebherr. Experienced specialists provide decision-making support for your specific requirements: Application-oriented sales support, service agreements, value-priced repair alternatives, original parts management, preventive service measures, as well as remote diagnosis for troubleshooting and correction.

### Highest-quality service

- Workshops with state-of-the-art equipment and customer-oriented service call planning guarantee a fast spare parts supply and provide the basis for high machine availability and cost effectiveness.



### The latest measuring and diagnostic equipment

- Liebherr customer service technicians have the finest equipment available. This guarantees fast support on site.

# Technical data



## Engine

John Deere diesel engine	4045HF287
	Emissions regulations according 97/68/EC, 2004/26 EC stage IIIA and EPA/CARB Tier 3
Output (ISO 3046)	84 kW / 114 HP at 2,400 rpm
Max. torque	430 Nm at 1,500 rpm
Displacement	4.5 l / 275 in <sup>3</sup>
Design	Four-cylinder in-line engine, water-cooled, turbocharger, air-to-air aftercooler
Fuel injection	Electronic direct injection
Air filter	Dry air filter with safety cartridge
Cooling	Hydrostatically powered, thermostatically controlled fan
Operating voltage	12 V
Batterie	12 V / 170 Ah
Lighting dynamo	12 V / 75 A
Starter	4.2 kW



## Travel drive/control

Design	Stepless hydrostatic travel drive with swash-plate variable displacement pump and Liebherr hydro motor in a closed circuit, forward and reverse travel achieved by changing the flow-direction of the variable displacement pump
Filtering	Pressure filter for closed circuit
Control	Via electronic accelerator and combined brake-inch pedal, constant adjustment of tractive force at maximum diesel engine speed. Changes of direction can be selected using multifunction joystick
Precise-control function	Two levels effective on travel drive
Travel speed	Stepless variable 0 – 25 km/h / 15.5 mph 0 – 20 km/h / 12.4 mph (optional) 0 – 40 km/h / 24.7 mph (optional)



## Noise emission

Operator sound exposure (ISO 6396)	$L_{pA} = 78$ dB(A) (Emission at the operator's position)
Exterior sound pressure (2000/14/EC)	$L_{WA} = 106$ dB(A) (Emission in the environment)



## Axles

Drive	All-wheel drive
Front axles	Steering knuckle control, fitted to swing with a 5° oscillation on either side, stabilised by means of levelling cylinder
Rear axles	Steering knuckle control, fitted to swing with a 9° oscillation on either side
Differential	Automatic 45 % limited-slip differential in the front axle
Transmission	Planetary gear in the wheel hubs



## Brakes

Service brake	Deceleration effective on all four wheels by hydrostatic travel drive, hydrostatically operated wet multiple-disk brakes in the front axle (internal)
Emergency brake	Internal hydraulic spring-loaded brakes



## Driver's cab

Cab	Flexible mounting, closed over-pressure ventilation, separate driver's doors with lockable upper part, integrated ROPS/FOPS structure, tinted safety glass at the front and roof panel, windscreen-wiper system for front and rear windscreen
Driver's seat	Cushioned driver's seat, adjustable four ways, with seat belt. Adjustable to suit weight of the driver
Ventilation	Pressure ventilation with fresh-air intake and filtering, 3-speed fan, 6 exit nozzles
Heating	Warm-water heating, defroster for front and rear windscreens



## Tyres

Standard tyre equipment	405/70-24 (1) or 400/80-24 (2)
Design	Tubeless tyres on one-piece rims
Special tyre equipment	As specified by manufacturer

(1) = TL 435-10 and TL 435-13, (2) = TL 445-10 and TL 442-13



## Steering

Design	Hydraulic steering of front and rear axles
Types of steering	Front-axle steering (for driving on roads), all-wheel steering, crab steering



## Implement hydraulics

Hydraulic system	Supply according to loads (load-sensing axial piston pump)
Max. flow rate	120 l/min / 26.4 Imp. gpm
Max. operating pressure	300 bar / 4,350 PSI
LUDV control	Load-independent flow distribution for precise translation of simultaneous joystick movements into the appropriate operative movements, independent of external forces exerted on individual hydraulic components
Filtering	Return oil filter
Control	Single-lever control via Liebherr multifunction joystick, electronically controlled
Relief valves	Load-control valves on lifting, tilt, telescopic and stabilisers (3) cylinders; pilot-controlled pressure valves on frame levelling cylinder
Main telescope functions	Lifting, bucket crowd and telescoping proportionally controlled using multifunction joystick
Auxiliary implement hydraulics	80 l/min / 17.6 Imp. gpm, joystick-controlled
Precise-control function	Two levels effective on implement hydraulics



## Service Capacities

Fuel tank	120 l	26.4 Imp. gal
Cooling system	17 l	3.7 Imp. gal
Engine oil (incl. filter change)	11 l	2.4 Imp. gal
Hydraulic tank	95 l	20.9 Imp. gal
Total hydraulics	180 l / 190 (3) l	39.6 / 41.8 (3) Imp. gal
Differential gears, each	6.7 l	1.5 Imp. gal
Front axle hub, each	0.75 l	0.2 Imp. gal
Rear axle hub, each	0.75 l	0.2 Imp. gal

(3) = TL 435-13 and TL 442-13

# Technical data



## Performance data

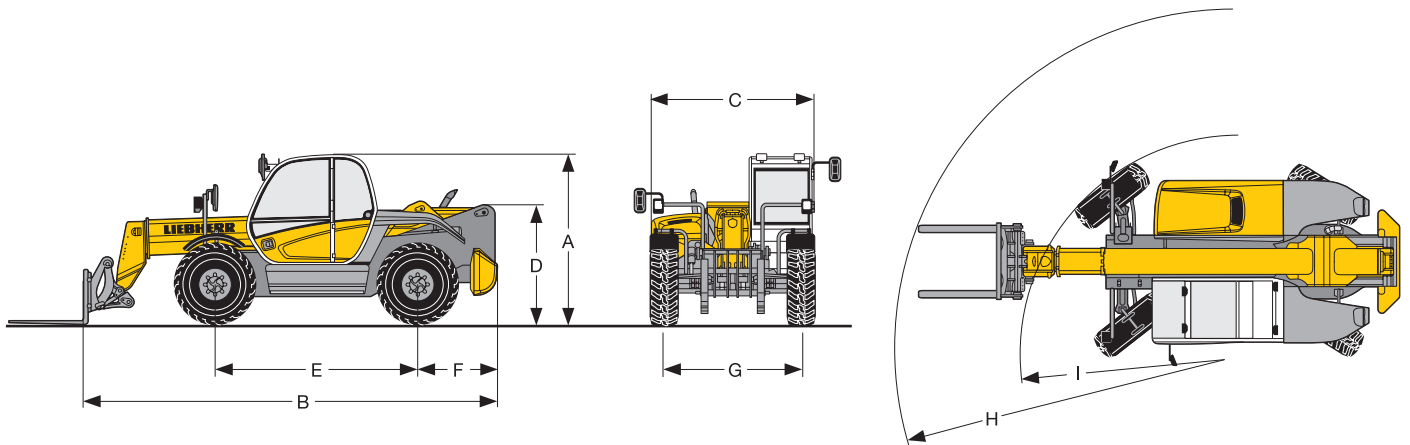
	TL 435-10	TL 445-10
Operating weight with standard forks, without operator	8,785 kg / 19,368 lb	9,621 kg / 21,211 lb
Max. lift capacity	3,500 kg / 7,716 lb	4,500 kg / 9,921 lb
Max. lift height	9,790 mm / 32'1" ft-in	9,820 mm / 32'3" ft-in
Max. forward reach	5,830 mm / 19'2" ft-in	5,790 mm / 19' ft-in



## Cycle times

	TL 435-10	TL 445-10
Cycle time at nominal load		
Raising boom	12.9 s	13.2 s
Extending	12.3 s	12.4 s
Retracting	8.1 s	8.3 s
Bucket crowd	3.6 s	4.6 s

# Dimensions

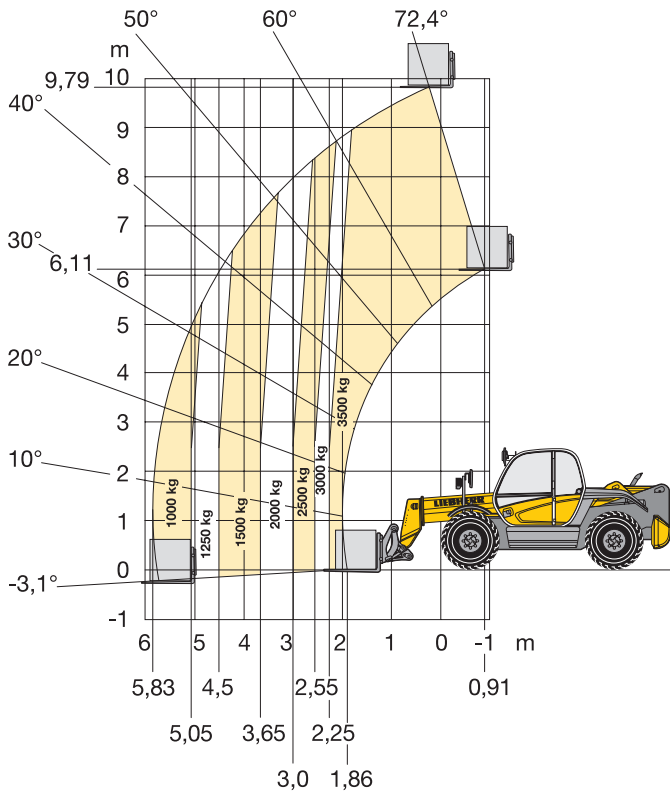


## Dimensions

A Overall height (without rotating beacon)	mm	2,395
	ft-in	7'10"
B Overall length to front carriage	mm	6,145
	ft-in	20'2"
C Overall width over standard tyres	mm	2,400
	ft-in	7'10"
D Height at rear	mm	1,685
	ft-in	5'6"
E Wheelbase	mm	2,950
	ft-in	9'8"
F Rear overhang	mm	1,135
	ft-in	3'9"
G Track gauge	mm	1,985
	ft-in	6'6"
H Outside turning radius over forks	mm	5,440
	ft-in	17'10"
I Outside turning radius over tyres	mm	3,720
	ft-in	12'2"
Ground clearance (mid-vehicle)	mm	400
	ft-in	1'4"

# Load charts (acc. to EN 1459, appendix B)

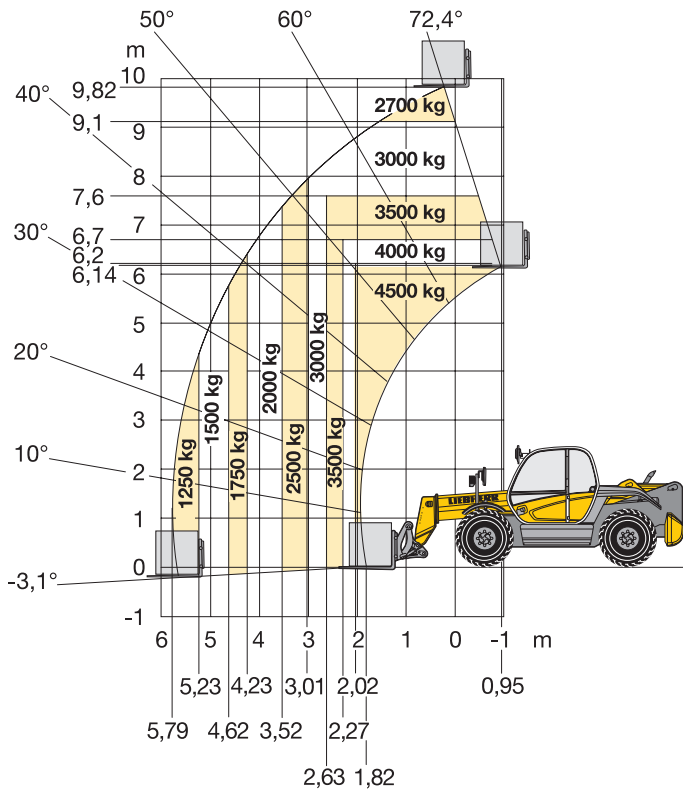
## TL 435-10



## Equipment

Carriage with forks	Carriage FEMIII incl. forks 100 x 50 x 1100 Form A
Tyres	MITAS MTP 04 - 405/70 - 24

## TL 445-10



## Equipment

Carriage with forks	Carriage FEMIII incl. forks 125 x 50 x 1100 Form A
Tyres	Michelin POWER CL 400/80-24



# Technical data



## Performance data

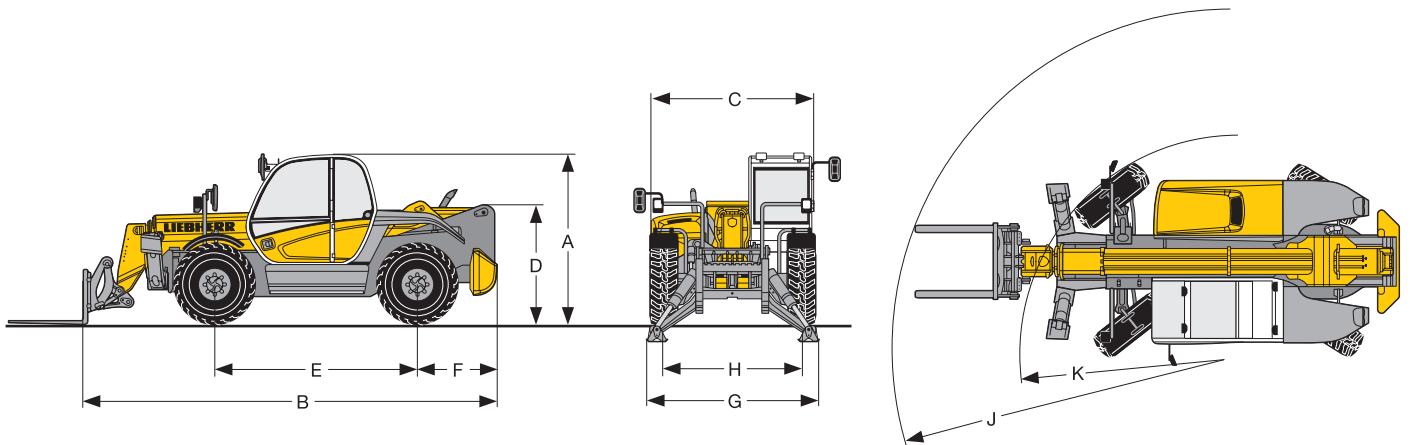
	TL 435-13	TL 442-13
Operating weight with standard forks, without operator	9,840 kg / 21,693 lb	11,100 kg / 24,471 lb
Max. lift capacity	3,500 kg / 7,716 lb	4,200 kg / 9,259 lb
Max. lift height	13,040 mm / 42'9" ft	13,050 mm / 42'10" ft-in
Max. forward reach	9,110 mm / 29'11" ft	9,080 mm / 29'9" ft-in
Max. boom side-shift (optional) at max. forward reach	530 mm / 1'9" ft	530 mm / 1'9" ft-in



## Cycle times

	TL 435-13	TL 442-13
Cycle time at nominal load		
Raising boom	13.5 s	13.5 s
Extending	16.6 s	18.7 s
Retracting	11.2 s	12.7 s
Bucket crowd	3.7 s	3.4 s

# Dimensions



## Dimensions

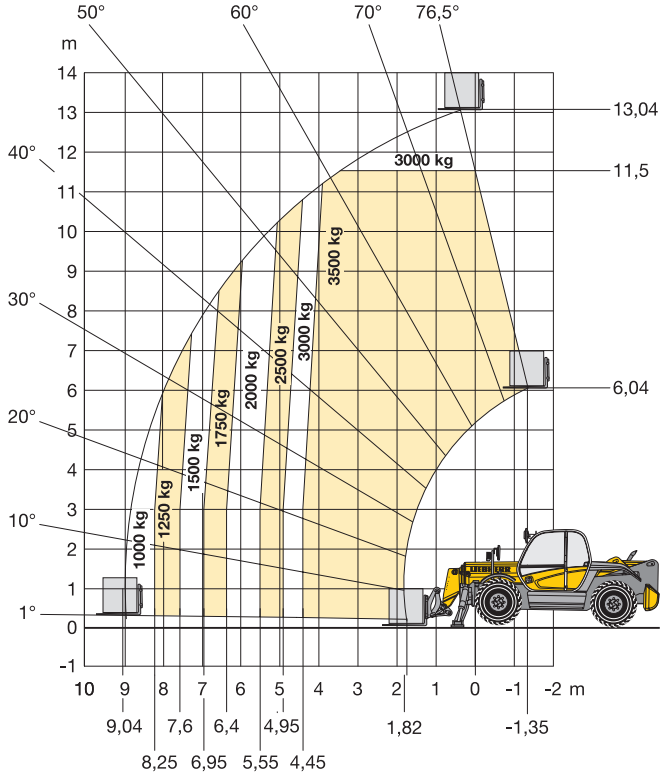
A Overall height (without rotating beacon)	mm	2,395
	ft-in	7'10"
B Overall length to front carriage	mm	6,105
	ft-in	20'0"
C Overall width over standard tyres	mm	2,400
	ft-in	7'10"
D Height at rear	mm	1,685
	ft-in	5'6"
E Wheelbase	mm	2,950
	ft-in	9'8"
F Rear overhang	mm	1,135
	ft-in	3'9"
G Width over stabilisers	mm	2,500
	ft-in	8'2"
H Track gauge	mm	1,985
	ft-in	6'6"
J Outside turning radius over forks	mm	5,400
	ft-in	17'9"
K Outside turning radius over tyres	mm	3,720
	ft-in	12'2"
Ground clearance	mm	400
	ft-in	1'4"

# Load charts (acc. to EN 1459, appendix B)

## Equipment TL 435-13

Carriage with forks Carriage FEMIII incl. forks 100 x 50 x 1100 Form B  
Tyres MITAS MPT 04 - 405/70 - 24

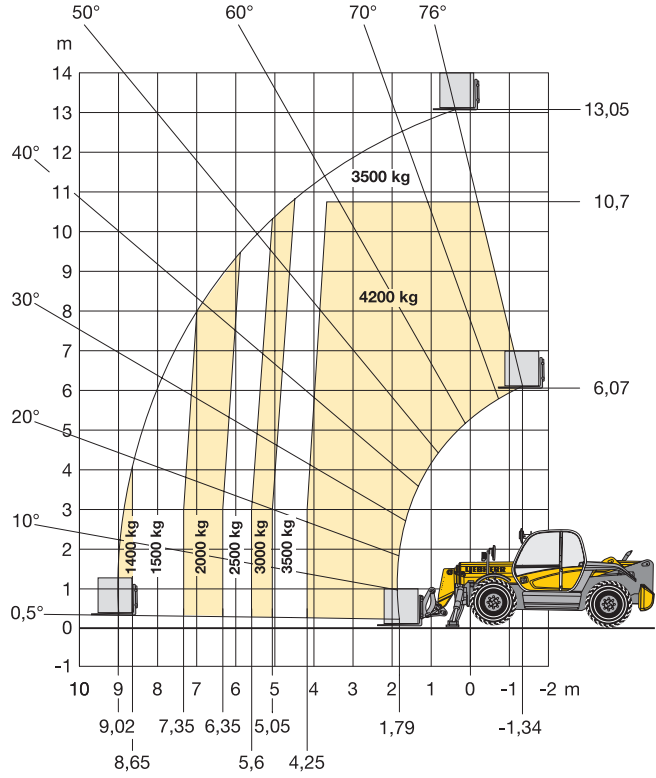
### TL 435-13 - on stabilisers



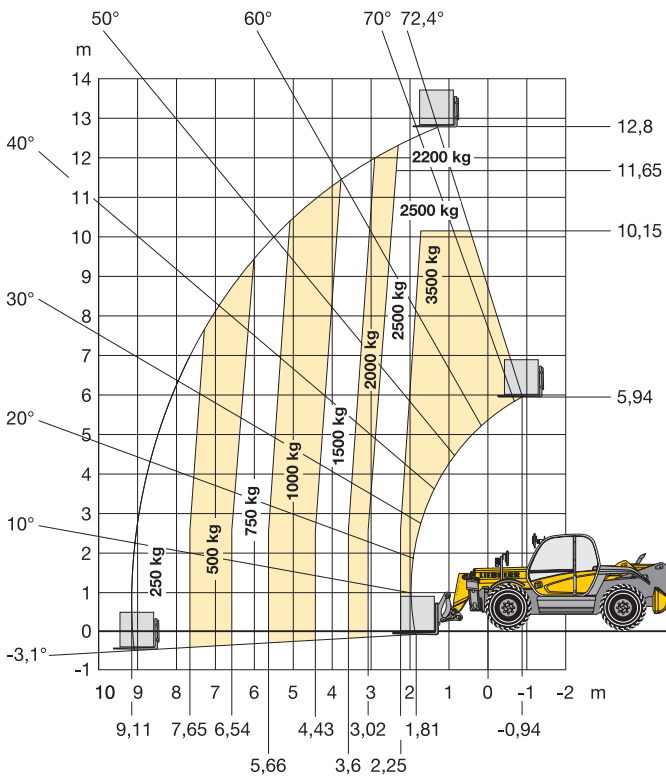
## Equipment TL 442-13

Carriage with forks Carriage FEMIII incl. forks 120 x 50 x 1100 Form B  
Tyres Michelin POWER CL 400/80-24

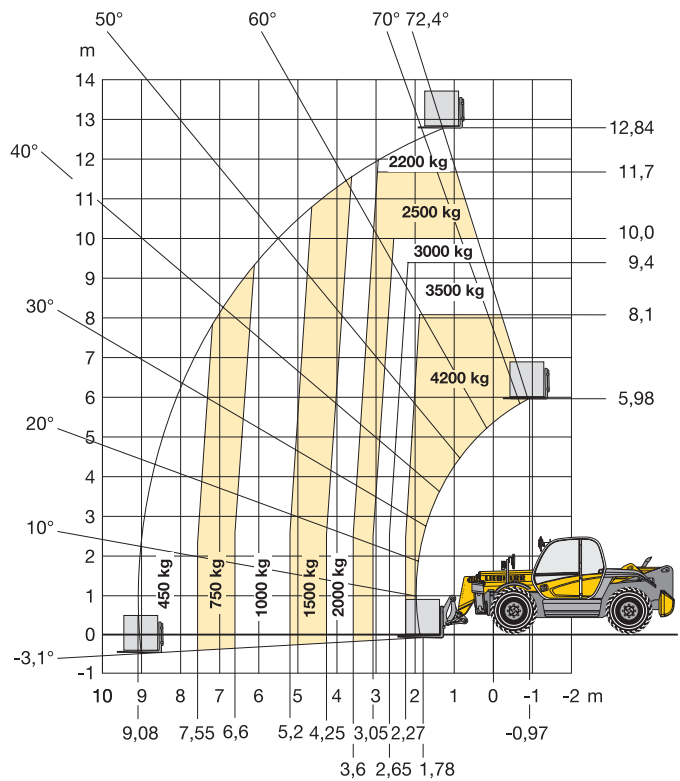
### TL 442-13 - on stabilisers



### TL 435-13 - on tyres



### TL 442-13 - on tyres



# Equipment



## Basic machine

2-stage boom	(2)	•
3-stage synchronised boom	(1)	•
John Deere 84 kW turbo diesel engine		•
Front stabilisers, hydraulic	(1)	•
Hydrostatic fan-drive system		•
Crankcase ventilation with leak-oil return		•
3 steering modes		•
Frame levelling system		•
45% limited-slip differential in front axle		•
Wheel chocks		•
Cylinder support		•
Towing hitch		+
Diesel particle filter		+
Rear-axle oscillation lock		+
Filling with bio-degradable hydraulic oil		+
Waste kit comprising seal engine compartment and main frame		+
Reversible fan		+
Special paint		+
Road-use registration		+



## Travel drive

Automatic parking brake		•
Adjustable travel drive		•
Precise-control function		•
Hydrostatic travel drive, stepless		•
Combined inch-brake pedal		•
20 km/h / 12.4 mph limit		+
40 km/h / 24.7 mph speeder		+
Cruise control		+



## Implement hydraulics

Deactivation of implement hydraulics		•
Reduced boom speed near tipping		•
Electronic end-position damping of boom functions		•
Precise-control function		•
Load-sensing variable displacement pump		•
LUDV – Load-independent flow distribution		•
Auxiliary implement hydraulic circuit 1		•
Autopower function		+
Boom suspension		+
Memory function for constant flow rate		+
Automatic bucket repositioning		+
Float position		+
Boom side-shift	(1)	+
Auxiliary implement hydraulic circuit 2		+



## Instruments

Mode for travel drive		•
Hour meter		•
Electronic overload warning system		•
Travel speed		•
Driving direction		•
Precise-control function		•
Full beam		•
Fuel level		•
Engine coolant temperature		•
Steering mode		•
Inclination indication		•
Clock		•
Preheat system – diesel engine		•
Auxiliary implement hydraulic circuit 1		•
Constant flow rate		+
Access platform mode	(1)	+
Auxiliary implement hydraulic circuit 2		+



## Control and warning lights

Battery charging		•
Indicator system		•
Diesel engine failure		•
rpm limitation		•
Electronic control		•
Parking brake		•
Synchrony of boom stages	(1)	•
Lifting capacity exceeded		•
Hydraulic filter contamination indication		•
Air filter		•
Engine-oil pressure		•
Emergency service		•
Replenishing pressure closed circuit		•
Road usage		•
Overload warning system		•
Control reversible fan		+



## Attachments

Mechanical quick hitch		•
Hydraulic quick hitch		+
Towing hitch		+
Access platform according to EN 280	(1)	+
Boom extension		+
Bale clamp		+
Container hooks		+
Carriage with floating forks		+
Carriage with fix forks		+
Auxiliary implement hydraulic circuit rear		+
Crane hooks		+
General purpose bucket with and without teeth and/or cutting edge		+
Light-material bucket		+
Multi-purpose bucket		+
Bucket with hydraulic grapple		+
Side-dump bucket		+
Winch		+



## Electrical system

Emergency stop button		•
12 V power socket		•
Overload warning system cut-off		•
Hazard warning lights		•
Working light on boom		+
Working light, rear		+
Working lights, front		+
Rotating beacon		+



## Operator's cab

Pocket in driver's door		•
Adjustable armrests		•
Ashtray		•
Hinged wing mirror		•
Mat		•
Document pocket		•
Pressurised ventilation		•
Mechanically cushioned driver's seat		•
Travel-direction control switch integrated into joystick		•
Precise-control function for travel or working hydraulics		•
Bottle holder		•
Split driver's door		•
Hinged rear window		•
Horn		•
Interior light		•
Intermittent windscreen-wiper system, front		•
Coat hook		•
Liebherr multifunction joystick		•
Emergency exit		•
Radio installation prepared		•
ROPS/FOPS sound absorbent cab		•
Windscreen-wiper system, rear		•
Seat belt		•
Tinted safety glass		•
Warm-water heating		•
Heated wing mirror		+
Pneumatically cushioned driver's seat		+
Fire extinguisher		+
Interior mirror		+
Air conditioning		+
Two-way adjustable steering column		+
Radio		+
Back-up alarm		+
Wiper, roof		+
Protective ventilation system		+
Screen guard for cab front windscreen		+
Roll-down sun visor for windscreen and roof panel		+

• = Standard, + = Optional  
 (1) = TL 435-13 and TL 442-13  
 (2) = TL 435-10 and TL 445-10

All illustrations and data may differ from standard equipment.  
 Subject to alterations.

**Options and/or special attachments, supplied by vendors other than Liebherr, are only to be installed with knowledge and approval of Liebherr to retain warranty.**

**Other add-on equipment available on request.**

# The Liebherr Group of Companies

## Wide product range

The Liebherr Group is one of the largest construction equipment manufacturers in the world. Liebherr's high-value products and services enjoy a high reputation in many other fields, too. The wide range includes domestic appliances, aerospace and transportation systems, machine tools and maritime cranes.

## Exceptional customer benefit

Every product line provides a complete range of models in many different versions. With both their technical excellence and acknowledged quality, Liebherr products offer a maximum of customer benefits in practical application.

## State-of-the-art technology

To provide consistent, top quality products, Liebherr attaches great importance to each product area, its components and core technologies. Important modules and components are developed and manufactured in-house, for instance the entire drive and control technology for construction equipment.

## Worldwide and independent

Hans Liebherr founded the Liebherr family company in 1949. Since that time, the enterprise has steadily grown to a group of more than 100 companies with over 32,000 employees located on all continents. The corporate headquarters of the Group is Liebherr-International AG in Bulle, Switzerland. The Liebherr family is the sole owner of the company.

[www.liebherr.com](http://www.liebherr.com)



Printed in Germany by Geiselmann RG-BK-RP LWT/VM 11001709-0-5-03.10\_enGB

## Liebherr-Werk Telfs GmbH

Hans Liebherr-Straße 35, A-6410 Telfs

☎ +43 50809 6-100, Fax +43 50809 6-7772

[www.liebherr.com](http://www.liebherr.com), E-Mail: [lwt.marketing@liebherr.com](mailto:lwt.marketing@liebherr.com)